

INORAX-ECO NETWORK CABINET

Inorax-ECO is a cost effective network rack cabinet line designed for cost sensitive customers. It fulfills high density cabling requirements and offers advanced fiber and copper cable management options. A wide range of cable management accessories is available to ensure perfect management of copper, fiber cables and 19" equipment. Flat-pack option enables savings up to 60% in the transport cost and warehouse space.

Technical Features

Material	1-1,2-1,5-2mm Steel
Color	RAL 7035 or RAL 9005
Compliance	RoHS, UL Certified
Packaging	Assembled or unassembled
Maximum Static Load	Up to 600 kg. (for CSN-U-X) Up to 100 kg. (for CSN-E-X)
Finish	Doors, side panels, top and bottom covers Electrostatic Powder Paint, 19" mounting rails: Zinc-plated

Standard Configuration:

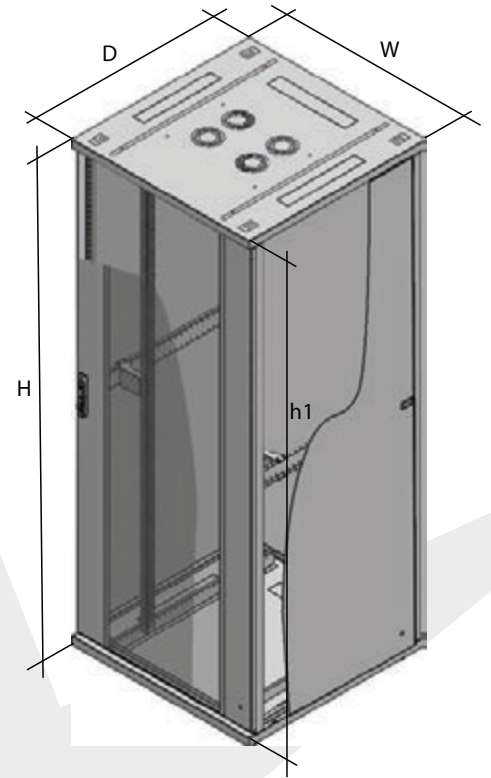
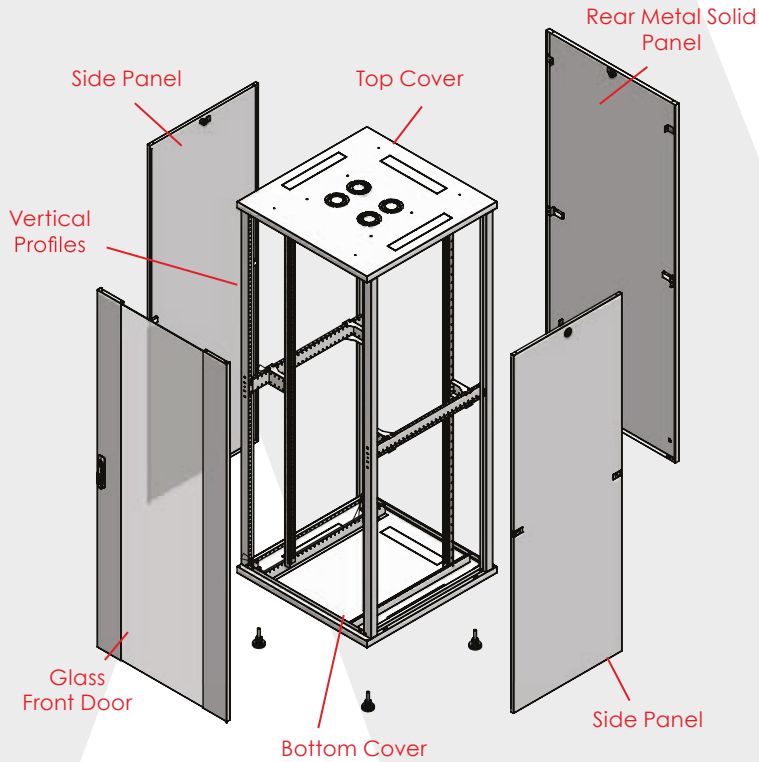
- Front door with safety glass
- Solid Side Panels with cylindrical locks and latches
- Solid Rear Panel with cylindrical locks
- Internal top sheet with 3 cable entries for 800 width,
1 cable entry for 600 width racks and fan cut-outs
- 2 Pairs of depth adjustable heavy duty 19" Mounting Rails
- 2 Pairs of Adjustable Feet
- Front Door with swing-handle single point lock
- Bottom cover with 3 cable entries for 800 width, 1 cable entry for 600 width racks



CERTIFIED



Technical Drawing



Order Information

Height U	Outer Width (W) mm	Outer Depth (D) mm	Outer Height (H) mm	Inner Width (w1) mm	Inner Depth (d1) mm	Inner Height (h1) mm	19" Rails Adjustable Depth Range (c)	Weight kg	Part No
16U	600	600	878	503	550	718	123 - 373	53	CSN-E-X-1666A
22U	600	600	1144	503	550	984	123 - 373	62	CSN-E-X-2266A
22U	600	800	1144	503	750	984	123 - 573	71	CSN-E-X-2268A
26U	600	600	1322	503	550	1162	123 - 373	68	CSN-U-X-2666A
26U	600	800	1322	503	750	1162	123 - 573	78	CSN-U-X-2668A
26U	800	800	1322	703	750	1162	123 - 573	92	CSN-U-X-2688A
32U	600	600	1588	503	550	1428	123 - 373	78	CSN-U-X-3266A
32U	600	800	1588	503	750	1428	123 - 573	88	CSN-U-X-3268A
32U	800	800	1588	703	750	1428	123 - 573	103	CSN-U-X-3288A
36U	600	600	1766	503	550	1607	123 - 373	84	CSN-U-X-3666A
36U	600	800	1766	503	750	1607	123 - 573	95	CSN-U-X-3668A
36U	800	800	1766	703	750	1607	123 - 573	110	CSN-U-X-3688A
39U	800	800	1900	703	750	1740	123 - 573	115	CSN-U-X-3988A
42U	600	600	2033	503	550	1873	123 - 373	94	CSN-U-X4266A
42U	600	800	2033	503	750	1873	123 - 573	105	CSN-U-X-4268A
42U	800	800	2033	703	750	1873	123 - 573	121	CSN-U-X-4288A

X (Color code): 7:RAL 7035 Light Grey, 9:RAL 9005 Black