

SINGLE WALLMOUNT CABINET WITH OPENABLE SIDE PANELS FROM OUTSIDE



Technical Features

Material	1-1, 5-2 mm steel
Color	RAL 7035 or RAL 9005
Maximum Static Load	Up to 80 kg.
Finish	Electrostatic Powder Paint

Standard Configuration:

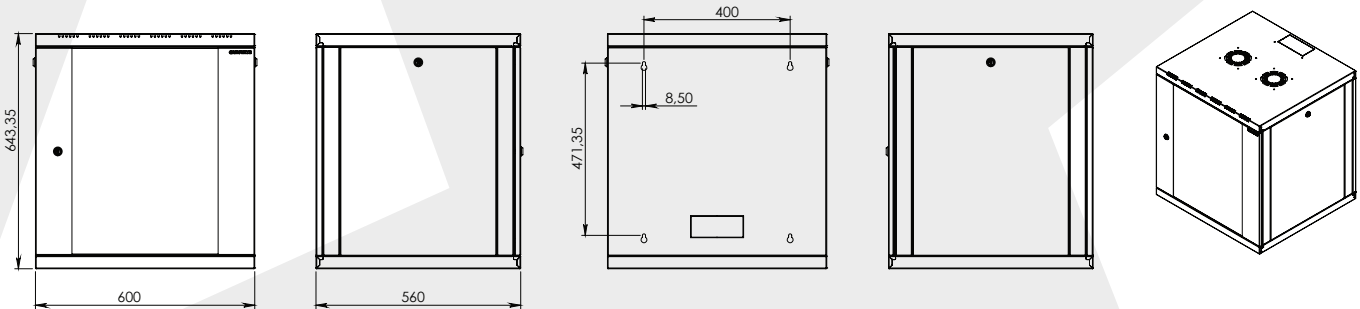
- Steel frame
- Glass door with cylindrical lock
- Openable side panels from outside
- 1 Pair of heavy duty 19" Mounting Rails
- RoHS compliant, UL Certified
- Flat Pack option available



CERTIFIED

Option:

- Adjustable feet or Castor Set (Solid front door)
- Available as floor standing cabinet as an option with castors or adjustable feet



Order Information

Height U	Outer Width (W) mm	Outer Depth (D) mm	Outer Height (H) mm	Inner Width (w1) mm	Inner Depth (d1) mm	Inner Height (h1) mm	19" Rails Adjustable Depth Range (c)	Weight kg	Part No
6	600	400	366	510	360	266	110-305	15	WS3O-X-0664A
6	600	560	366	510	520	266	110-465	18	WS3O-X-0665A
9	600	400	488	510	360	408	110-305	19	WS3O-X-0964A
9	600	600	488	510	560	408	110-505	23	WS3O-X-0966A
12	600	400	621	510	360	541	110-305	23	WS3O-X-1264A
12	600	560	621	510	520	541	110-465	26	WS3O-X-1265A
15	600	400	755	510	360	674	110-305	27	WS3O-X-1564A
15	600	560	755	510	520	674	110-465	30	WS3O-X-1565A
18	600	400	888	510	360	808	110-305	21	WS3O-X-1864A
18	600	560	888	510	520	808	110-465	34	WS3O-X-1865A
21	600	400	1022	510	360	942	110-305	33	WS3O-X-2164A
21	600	560	1022	510	520	942	110-465	38	WS3O-X-2165A

X (Color code): 7:RAL 7035 Light Grey, 9:RAL 9005 Black